

Annexure to ER for Tracking Device

Annex-R-A1-Navigation	<ol style="list-style-type: none">1. GPS2. NavIC (Regional GNSS system of India) Testing as per Test Setup II in Annexure III.
-----------------------	---

ANNEXURE II

Table 1 for Frequency Allocation *

Frequency Bands		Application
L band I	1164MHz to 1300 MHz	GNSS
L band II	1559 MHz to 1610 MHz	
S Band	2483.5 MHz to 2500MHz	

Note: 1

- i. The equipment may operate in part of the bands or cover the full bands listed in Table 1 above.
- ii. The above-mentioned frequencies are for the purpose of prescribing technical specifications and don't specify the actual allocation of above-mentioned services in India. The actual allocation w.r.t to any services will be as per license conditions/regulations of Government of India.
- iii. All the frequency bands mentioned in the table above, may be revised as per the "National Frequency Allocation Plan (NFAP)" in force.

**Note*

(i) 1164 to 1215MHz allocated to AERONAUTICAL RADIONAVIGATION, AERONAUTICAL RADIONAVIGATION (Earth-to-space) as per NFAP 2018

(ii) 1215 to 1240 Fixed Mobile Radiolocation as per NFAP 2018.

(iii) 1240 to 1300 MHz Fixed Mobile Radionavigation Earth Exporation – Satellite (Space to Earth) as per NFAP 2018.

(iv) 1300 to 1350 MHz allocated to AERONAUTICAL RADIONAVIGATION, AERONAUTICAL RADIONAVIGATION (Earth-to-space) as per NFAP 2018.

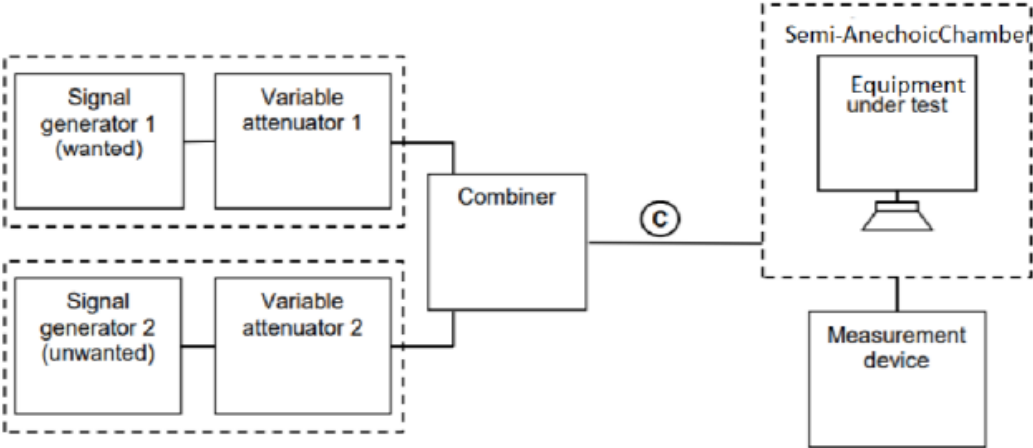
(v) 1350 to 1400 MHz Fixed Mobile Radiolocation as per NFAP 2018.

(vi) 2483.5 to 2500 MHz – Fixed Mobile, Fixed mobile satellite (Space to Earth) Radio location Radio Termination – Satellite

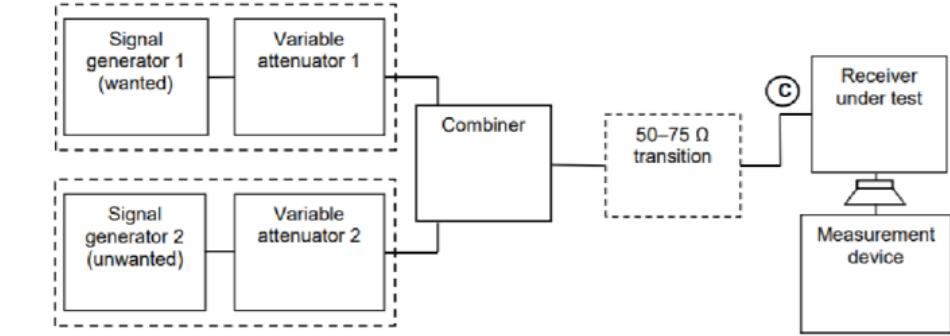
Test Setup I: To verify the frequency of operation of the EUT (as per applicability defined in standard ETSI EN 303 345-1)

The setups are representative and may vary depending on the equipment under test and specific test methodology.

I. General Test requirement – Radiated Measurements



II. General Test requirement – Conducted Measurements



ANNEXURE IV

Conformance to the following latest in force/valid versions of standards as applicable:			
Sr.No.	Standard	Applicability	
1	ETSI EN 303 413	Applicable to Radio broadcast receivers intended for reception of GNSS signals	

Test Results and certificate from TEC designated CAB shall be submitted for Compliance