

ANNEXURE TO ER of RADIO BROADCAST RECEIVER

Annex-R-A1-Safety	As per Annexure I
Annex-R-A1-Freq	As per Annexure II, Table I. Testing as per Test Setup I in Annexure III.
Annex-R-A1-Navigation	1. GPS 2. NavIC (Regional GNSS system of India) Testing as per As per Test Setup II in Annexure III.
Annex-R-A1-Radio_conformance	As per Annexure-IV

Annexure I

Conformance to following safety standards is required:	Testing requirements
<p>a) The equipment shall conform to IS 616:2017/IEC 60065:2014 - „Audio, Video and similar electronic apparatus- Safety requirements”.</p> <p style="text-align: center;">OR</p> <p>The equipment shall conform to IEC 62368-1: 2018 “Audio/video, information and communication technology equipment - Part 1: Safety requirements”.</p> <p>b) In case of secondary cells and batteries used in portable equipments, conformance to standard IS 16046(Part2): 2018/ IEC 62133-2: 2017) “Secondary cells and batteries containing alkaline or other non-acid electrolytes - Safety requirements for portable sealed secondary cells, and for batteries made from them, for use in portable applications”: Lithium systems.</p>	<p>Test results from Designated CAB of TEC to be submitted for compliance</p>

Annexure II

Table 1

Frequency bands		Applications
Medium Frequency (MF)	526, 5 kHz to 1 606, 5 kHz.	Radio Broadcasting
High Frequency (HF):	3 950 kHz to 4 000 kHz, 5 900 kHz to 6 200 kHz, 7 200 kHz to 7 450 kHz, 9 400 kHz to 9 900 kHz, 11 600 kHz to 12 100 kHz, 13 570 kHz to 13 870 kHz, 15 100 kHz to 15 800 kHz, 17 480 kHz to 17 900 kHz, 18 900 kHz to 19 020 kHz, 21 450 kHz to 21 850 kHz and 25 670 kHz to 26 100 kHz	
VHF band I:	47 MHz to 68 MHz.	
VHF band II:	87,5 MHz to 108 MHz.	
VHF band III:	174 MHz to 230 MHz.	
L band I	1 164 MHz to 1 300 MHz	
L band II	1 559 MHz to 1 610 MHz	
S band	2483.5 MHz to 2500 MHz	GNSS

Note:

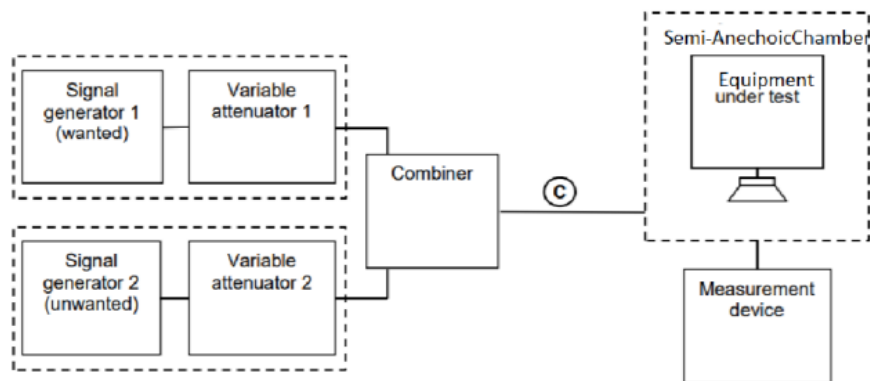
- i. The equipment may operate in part of the bands or cover the full bands listed in Table 1 above.
- ii. The above mentioned frequencies are for the purpose of prescribing technical specifications and don't specify the actual allocation of above mentioned services in India. The actual allocation w.r.t to any services will be as per license conditions/regulations of Government of India.
- iii. All the frequency bands mentioned in the table above, may be revised as per the "National Frequency Allocation Plan (NFAP)" in force.

Annexure III

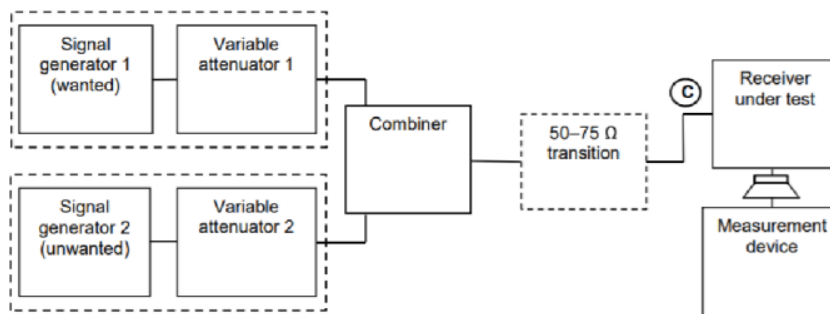
Test Setup I: To verify the frequency of operation of the EUT (as per applicability defined in standard ETSI EN 303 345-1)

The setups are representative and may vary depending on the equipment under test and specific test methodology.

I. General Test requirement – Radiated Measurements



II. General Test requirement – Conducted Measurements



Annexure IV

Conformance to the following latest in force/valid versions of standards as applicable:		
Sr. No.	Standard	Applicability
1.	ETSI EN 303 345	Applicable to Radio broadcast receivers, intended to support analog AM/FM or DRM digital modulation only. Note: Conformance shall only be required for each of the frequency bands co-located Annexure I Table I of this document and ETSI EN303 345-1.
2.	ETSI EN 303 413	Applicable to Radio broadcast receivers intended for reception of GNSS signals

Test results and certificate from TEC Designated CAB shall be submitted for compliance.